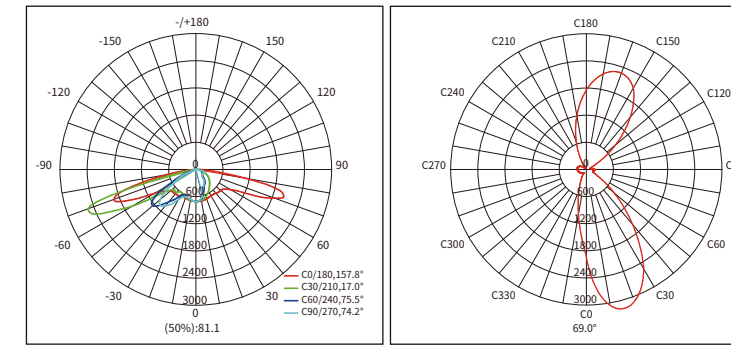


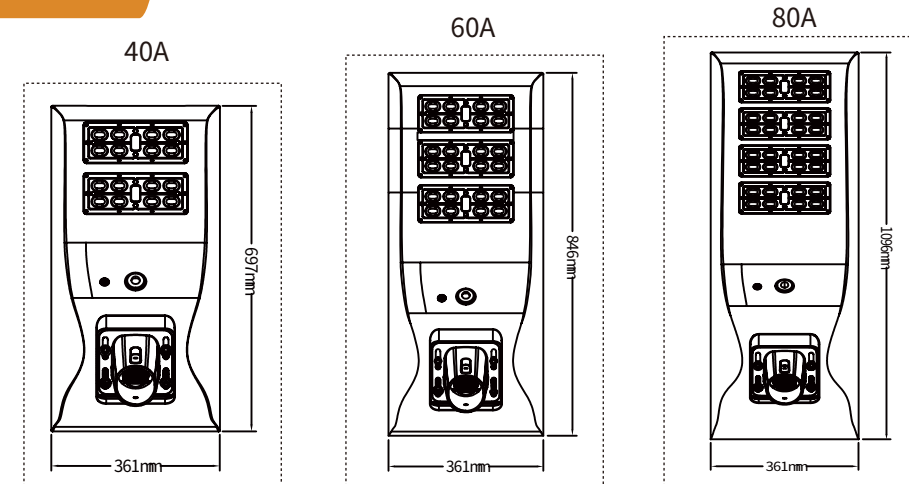


180  
Lm/w

Light Distribution Curves



SIZE



Product Features

- Beam angle is 80°\*155°, wide lighting area.
- Whole lamp can be 30° adjustable.
- Remote control distance up to 15 meters.
- Built-in large capacity LifePO4 battery.
- Imported high-efficiency monocrystalline silicon.

Application scope

Widely used for lighting on main roads, highways, urban streets, bridges, pedestrian walkways, and other places that require outdoor lighting such as squares, schools, residential areas, industrial areas, parks, etc.

Specifications



Model	40-A	60-A	80-A
Mono solar panel	18V 37W	18V 44W	18V 57W
Battery capacity	12.8V 12AH	12.8V 18AH	12.8V 24AH
CCT	2700K-6500K		
Efficacy	180LM/W		
Charging Time	6~8 hours by bright sunligh		
Working Time	12-15 hours (5-7 rainy days)		
Control Mode	Time control + Microwave induction or Infrared induction		
IP Rating	IP66		
Mounting Height	4-6m	5-7m	6-8m
Installation Distance	10-20m	15-25m	20-30m
Mounting hole	φ78mm		
Warranty	3 years		
Size(mm)	697*361*209	846*361*209	1096*361*209
K.G.	7.7	9.5	11.7