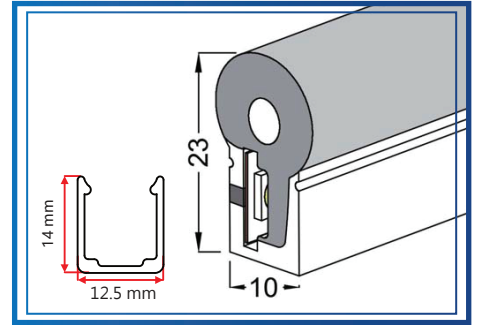
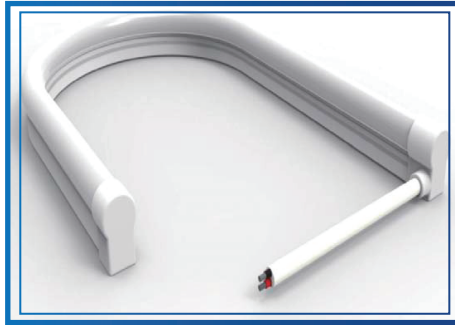
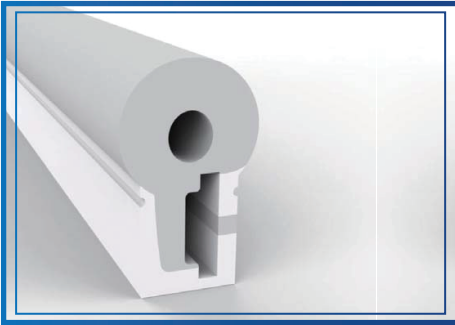
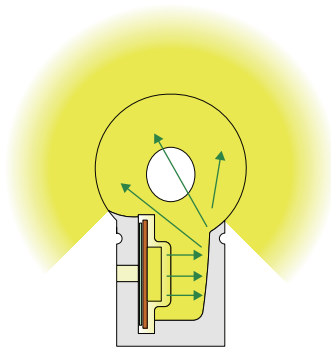


AUNF31 Side View 10*23(mm)



PCB Width(mm)	10
Weight(g/m)	249
Section size(mm)	10*23
Beam angle	270°



Lighting Direction: Side Lighting

Cutting mark: Yes



End cap with hole



End cap no hole



Aluminum Clip



Aluminum Profile



Flexible Profile