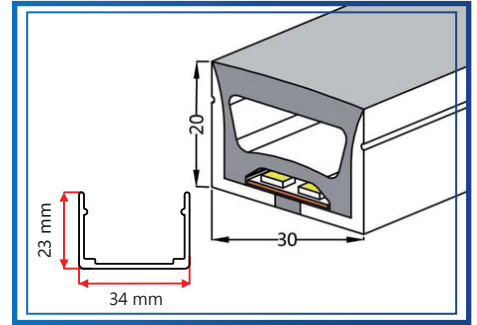
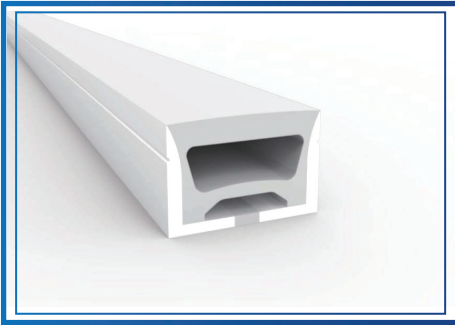
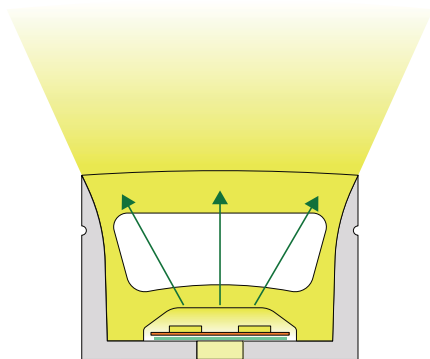


# AUNF14 Top View 30\*20(mm)



PCB Width(mm)	15
Weight(g/m)	482
Section size(mm)	30*20
Beam angle	120°



Lighting Dairction: Top Lighting

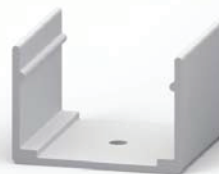
Cutting mark:Yes



End cap with hole



End cap no hole



Aluminum Clip



Aluminum Profile