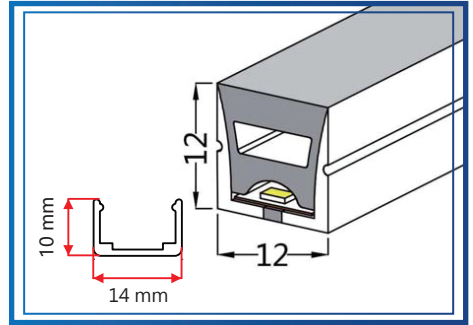
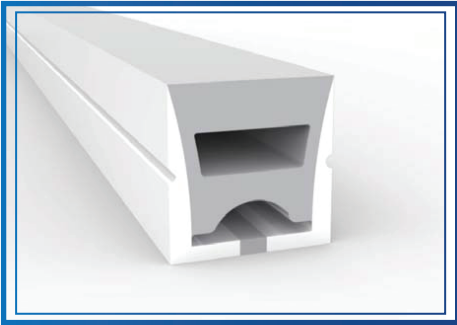
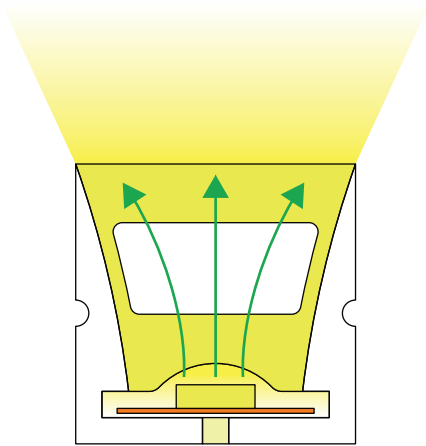


AUNF11 Top View 12*12(mm)



PCB Width(mm)	8
Weight(g/m)	125
Section size(mm)	12*12
Beam angle	120°



Lighting Direction: Top Lighting

Cutting mark: Yes



End cap with hole



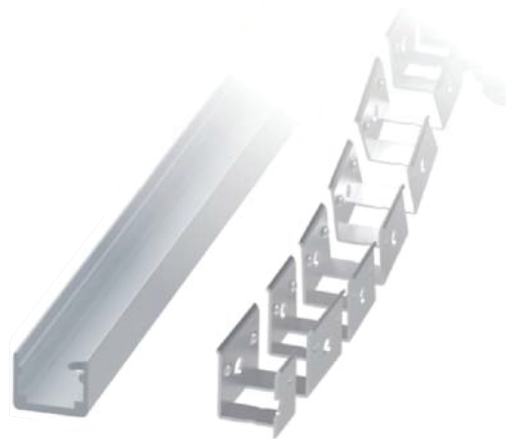
End cap no hole



Aluminum Clip



Aluminum Profile



Flexible Profile