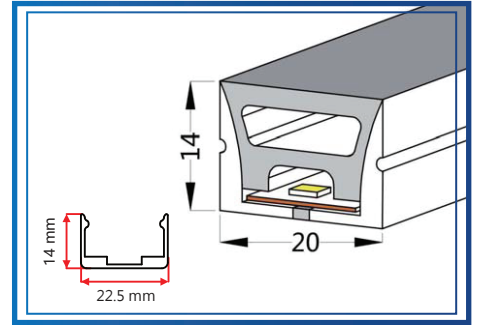
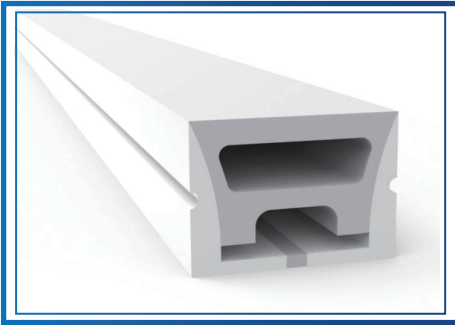
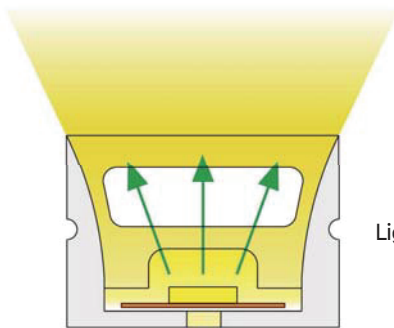


AUNF07 Top View 20*14(mm)



PCB Width(mm)	12
Weight(g/m)	249
Section size(mm)	20*14
Beam angle	120°



Lighting Dairrection: Top Lighting

Cutting mark:Yes



End cap with hole



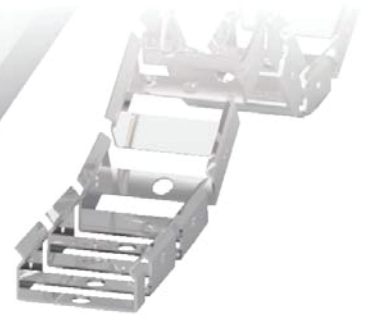
End cap no hole



Aluminum Clip



Aluminum Profile



Flexible Profile