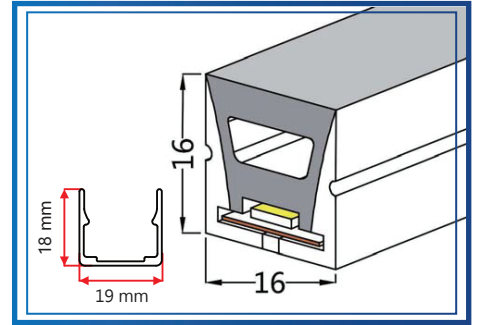
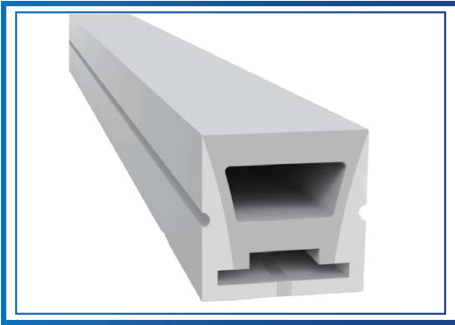
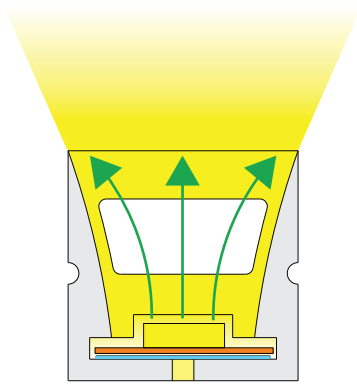


# AUNF05 Top View 16\*16(mm)



PCB Width(mm)	10/12
Weight(g/m)	224
Section size(mm)	16*16
Beam angle	120°



Lighting Dairrection: Top Lighting

Cutting mark:Yes



End cap with hole



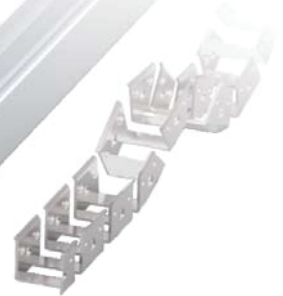
End cap no hole



Aluminum Clip



Aluminum Profile



Flexible Profile