



AULB9926-3.5" 2L

SPECIFICATION

HOUSING :HIGH COLD-ROLLED STEEL SHEET FORMED BY HIGH QUALITY MACHINES

SURFACE TREATMENT :ION-PHOSPHATE AND ANTI-RUST FINISHED WITH UV RESISTANT POLYESTER POWDER COAT

REFLECTOR :HIGH GRADE ANODIZED ALUMINIUM (SPECULAR)

DIFFUSER :VANDAL RESISTANT TEMPERED GLASS (FROSTED)

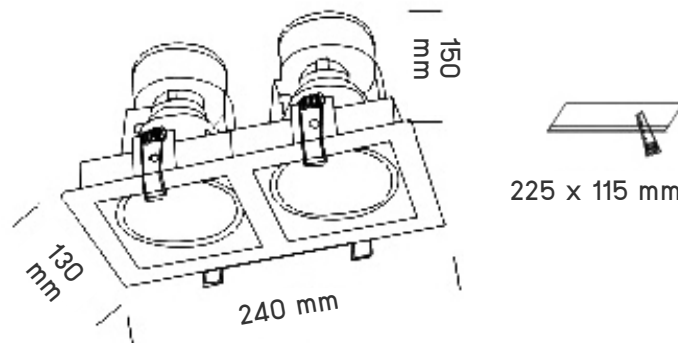
COLOR :WHITE+SATIN CHROME

PROTECTION CLASS :PROTECTION CLASS EQUIVALENT TO IP 44

INSTALLATION :RECESS CONCEAL CEILING

APPLICATION :OFFICE BUILDING, HOSPITAL, DEPARTMENT STORE HOTEL, RESTAURANT,GOVERNMENTAL BUILDING SHOP, RESIDENTIAL, ETC.

MODEL	DIMENSION(mm.)			LAMP	LUMEN	LAMP TYPE
	Ø	W	H	HOLDER	(MAX)	
AULB9926-3.5" 2L	240 x 130	225 x 115	150	E27		





AULB9926-4" 2L

SPECIFICATION

HOUSING	:HIGH COLD-ROLLED STEEL SHEET FORMED BY HIGH QUALITY MACHINES	COLOR	:WHITE+SATIN CHROME
SURFACE TREATMENT	:ION-PHOSPHATE AND ANTI-RUST FINISHED WITH UV RESISTANT POLYESTER POWDER COAT	PROTECTION CLASS	:PROTECTION CLASS EQUIVALENT TO IP 44
REFLECTOR	:HIGH GRADE ANODIZED ALUMINIUM (SPECULAR)	INSTALLATION	:RECESS CONCEAL CEILING
DIFFUSER	:VANDAL RESISTANT TEMPERED GLASS (FROSTED)	APPLICATION	:OFFICE BUILDING, HOSPITAL, DEPARTMENT STORE HOTEL, RESTAURANT, GOVERNMENTAL BUILDING SHOP, RESIDENTIAL, ETC.

MODEL	DIMENSION(mm.)			LAMP	LUMEN	LAMP TYPE
	Ø	W	H	HOLDER	(MAX)	
AULB9926-4" 2L	290 x 155	275 x 138	165	E27		

