



AULB-D980-CIR-A/120

SPECIFICATION

HOUSING :HIGH COLD-ROLLED STEEL SHEET FORMED BY HIGH QUALITY MACHINES

SURFACE TREATMENT :ION-PHOSPHATE AND ANTI-RUST FINISHED WITH UV RESISTANT POLYESTER POWDER COAT

REFLECTOR :HIGH GRADE ANODIZED ALUMINIUM (SPECULAR)

DIFFUSER :VANDAL RESISTANT TEMPERED GLASS (FROSTED)

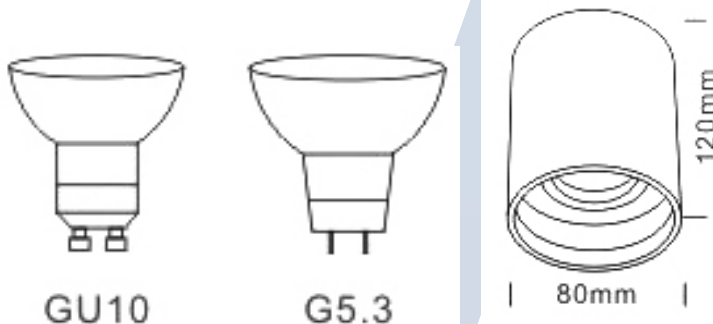
COLOR :BLACK, SAND WHITE+BLACK, GREY+BLACK

PROTECTION CLASS :PROTECTION CLASS EQUIVALENT TO IP 44

INSTALLATION :SURFACE MOUNT

APPLICATION :OFFICE BUILDING, HOSPITAL, DEPARTMENT STORE HOTEL, RESTAURANT, GOVERNMENTAL BUILDING SHOP, RESIDENTIAL, ETC.

MODEL	DIMENSION(mm.)		LAMP	LUMEN	LAMP TYPE
	Ø	H	HOLDER	(MAX)	
AULB-D980-CIR-A/120	80	120	G5.3 / GU10		





AULB-D980-CIR-A/145

SPECIFICATION

HOUSING :HIGH COLD-ROLLED STEEL SHEET FORMED BY HIGH QUALITY MACHINES

SURFACE TREATMENT :ION-PHOSPHATE AND ANTI-RUST FINISHED WITH UV RESISTANT POLYESTER POWDER COAT

REFLECTOR :HIGH GRADE ANODIZED ALUMINIUM (SPECULAR)

DIFFUSER :VANDAL RESISTANT TEMPERED GLASS (FROSTED)

COLOR :BLACK, SAND WHITE+BLACK, GREY+BLACK

PROTECTION CLASS :PROTECTION CLASS EQUIVALENT TO IP 44

INSTALLATION :SURFACE MOUNT

APPLICATION :OFFICE BUILDING, HOSPITAL, DEPARTMENT STORE HOTEL, RESTAURANT, GOVERNMENTAL BUILDING SHOP, RESIDENTIAL, ETC.

MODEL	DIMENSION(mm.)		LAMP	LUMEN	LAMP TYPE
	Ø	H	HOLDER	(MAX)	
AULB-D980-CIR-A/145	80	145	G5.3 / GU10		

