



AUF G8

SPECIFICATION

HOUSING :MADE OF REINFORCED POLYESTER RIGID EVEN AT HIGHER TEMPERATURE
:STAINLESS STEEL CLIPS
:EXPANDED AND INJECTED POLYURETHANE SEAL FOR EFFECTIVE SEALING BETWEEN BODY AND DIFFUSER

REFLECTOR :STEEL SHEET MATERIAL, POWDER COATED WHITE
UV-PROTECTION

(OPTIONAL) :PARABOLIC HIGH PURITY ANODIZED ALUMINIUM 99.85% MIRROR FINISH, TOTAL REFLECTION 87% (DIN 5036-3)FROM GERMANY
:PARABOLIC HIGH PURITY ANODIZED ALUMINIUM 99.99% MIRROR FINISH, TOTAL REFLECTION 95% (DIN 5036-3)FROM GERMANY

DIFFUSER :PRISMATIC TYPE CLEAR POLYCARBONATE

INFECTED UV STABLE, WIDE STUDDED ANGLES FOR ITS TOTAL TRANSPARENCY AND ANTIDAZZLE

WIRES :THW, TIS.11-1988 STANDARD

LAMP HOLDER :ROTOR LOCKET TYPE HIGH-HEAT RESISTANCE, TIS344-1987 STANDARD

STARTER HOLDER :ROTOR LOCKET TYPE HIGH-HEAT RESISTANCE, TIS344-1987 STANDARD

PROTECTION CLASS :PROTECTION CLASS EQUIVALENT TO IP65 CLASS I

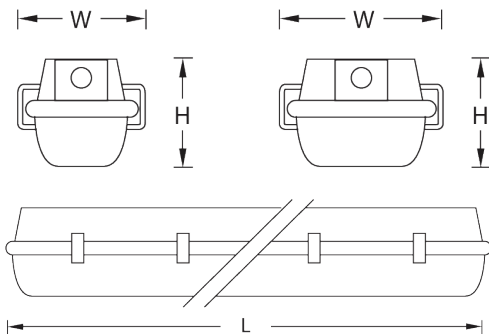
COLOR :GREY

INSTALLATION :SURFACE OR SUSPEND MOUNT

APPLICATION :FACTORY, WAREHOUSE, CAR PARK, CLEANROOM, ETC.

COMPLETE SET* :INCLUDING BALLAST, LAMP, STARTER NORMAL FOR T8 LAMP

COMPLETE SET** :INCLUDING ELECTRONIC BALLAST, LAMP FOR T5 LAMP



MODEL	LAMP	DIMENSION(mm.)			WEIGHT (kg.)
		L	W	H	
AUF G8-120	1 x 18W. T8	665	100	110	2.80
AUF G8-220	2 x 18W. T8	665	130	100	4.20
AUF G8-140	1 x 36W. T8	1270	100	110	4.10
AUF G8-240	2 x 36W. T8	1270	130	100	6.20
AUF G8-340	3 x 36W. T8	1270	130	100	6.70
AUF G8-158	1 x 58W. T8	1580	100	110	6.20
AUF G8-258	2 x 58W. T8	1580	130	100	8.00
AUF G8-132	1 x 32W. T8	1270	100	110	4.10

INSTALLATION : SURFACE MOUNT OR SUSPEND MOUNT