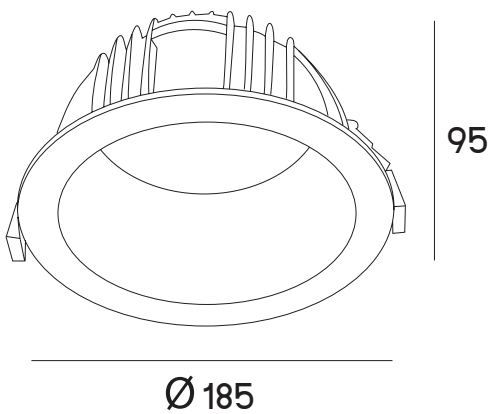




AU-DLL118-024-830M2



PRODUCT SPECIFICATION

| | |
|--------------------|-------------------|
| POWER | LED 24W |
| INPUT VOLTAGE | 220-240V |
| LUMEN | 1920lm |
| COLOR TEMPERATURE | 3000K |
| CRI | 80 |
| BEAM ANGLE | 120D |
| DIMENSION | D185xH95mm |
| CEILING CUT | D155mm |
| MATERIAL | Aluminium |
| COLOR AVAILABLE | White |
| LIGHT DISTRIBUTION | Direct |
| MOUNTING | Recessed |
| DRIVER | With driver 300mA |
| DIMMABLE | Non-Dimmable |
| IP RATING | IP20 |