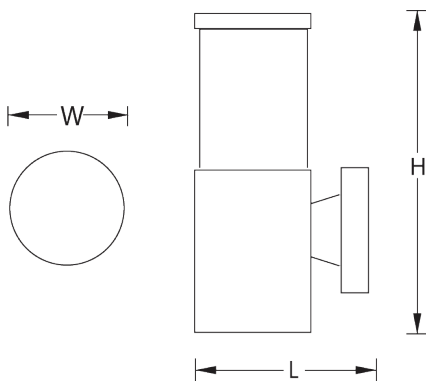


**AUOW003-003/1**

**SPECIFICATION**

HOUSING :CORROSION RESISTANT DIE CAST ALUMINIUM  
 :STAINLESS STEEL SCREWS  
 :HEATPROOF SILASTIC SEALING RING  
 SURFACE TREATMENT :ION-PHOSPHATE AND ANTI-RUST FINISHED WITH UV  
 RESISTANT POLYESTER POWDER COAT  
 REFLECTOR :HIGH GRADE ANODIZED ALUMINIUM (SANDBLAST)  
 DIFFUSER :VANDAL RESISTANT TEMPERED GLASS

FRAME :DIE CAST ALUMINIUM  
 COLOR :GRAY, BLACK, WHITE  
 PROTECTION CLASS :PROTECTION CLASS EQUIVALENT TO IP 65  
 INSTALLATION :SURFACE MOUNT (INDOOR & OUTDOOR)  
 APPLICATION :EXHIBITION HALL, SHOWROOM, MUSEUMS, PARKS  
 WALK WAYS, TREES, CORRIDORS, FACADES, ETC.



MODEL	DIMENSION(mm.)			LAMP HOLDER	LUMEN (MAX)	LAMP TYPE
	L	W	H			
AUOW003	125	65	245	E 27	800 lm.	PL 11, 14W.
AUOW003/1	155	95	210	E 27	1550 lm.	PL 18, 23W.