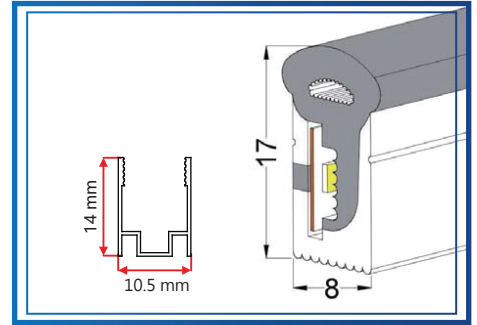
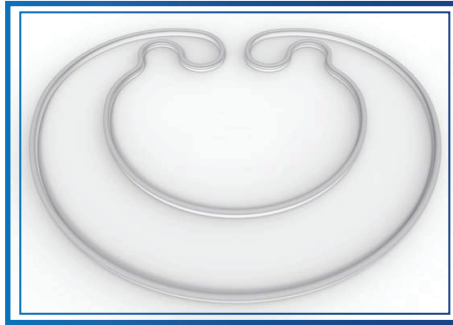
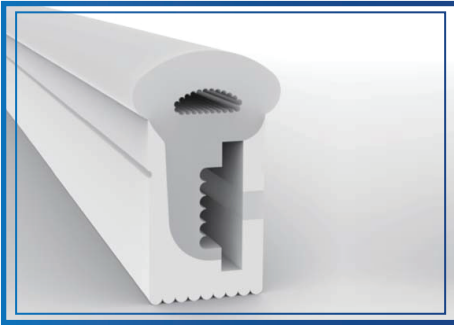
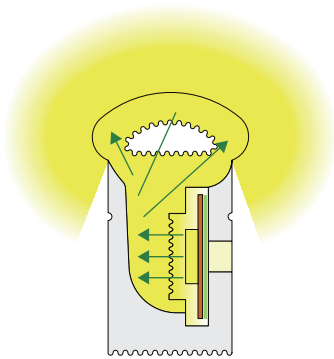


AUNF30 Side View 08*17(mm)



PCB Width(mm)	8
Weight(g/m)	149.5
Section size(mm)	8*17
Beam angle	270°



Lighting Direction: Side Lighting



End cap with hole



End cap no hole



Aluminum Clip



Aluminum Profile

Flexible Profile