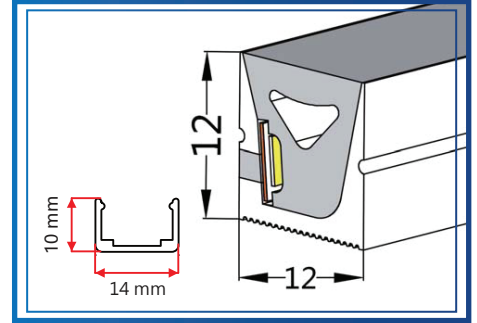
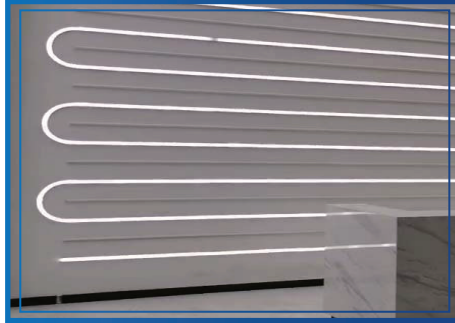
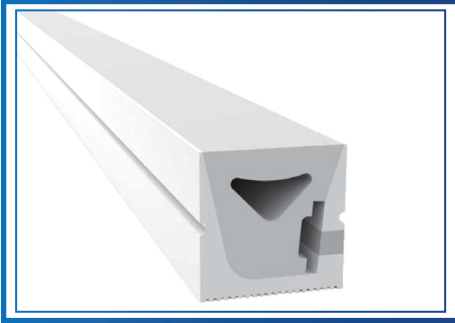
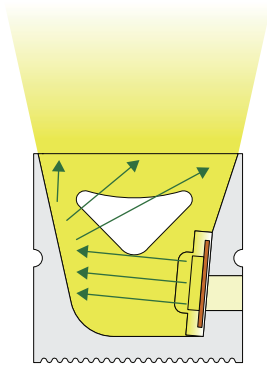


# AUNF13 Side View 12\*12(mm)



PCB Width(mm)	5
Weight(g/m)	150
Section size(mm)	12*12
Beam angle	120°



Lighting Direction: Side Lighting

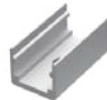
Cutting Mark Yes



End cap with hole



End cap no hole



Aluminum Clip



Aluminum Profile



Flexible Profile