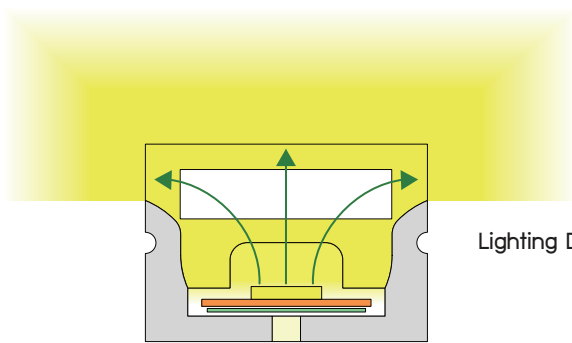


PCB Width(mm)	12
Weight(g/m)	248
Section size(mm)	20*14
Beam angle	180°



Lighting Direction: 3 sides Top Lighting

Cutting Mark Yes



End cap with hole



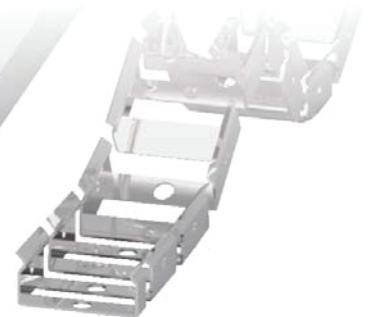
End cap no hole



Aluminum Clip



Aluminum Profile



Flexible Profile