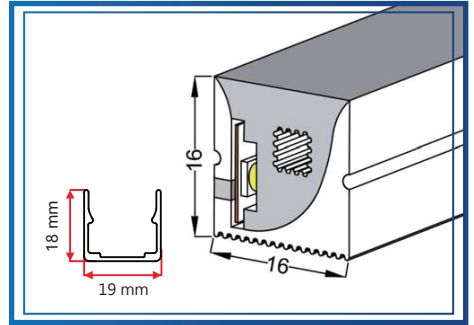
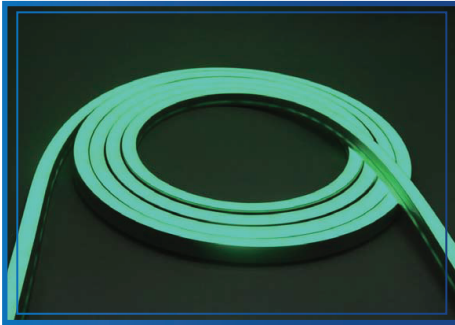
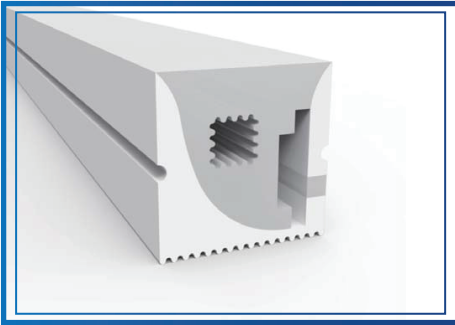
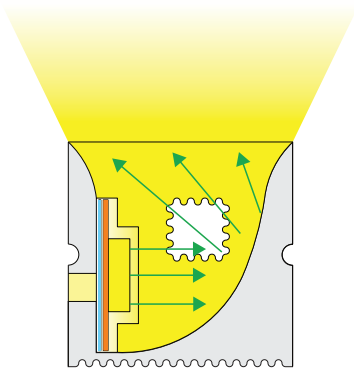


AUNF06 Top View 16*16(mm)

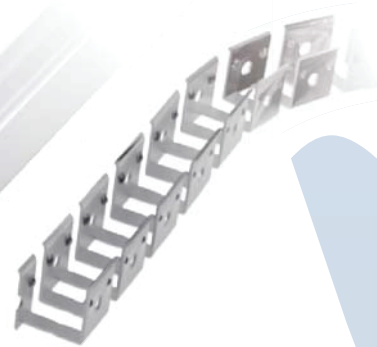


PCB Width(mm)	10
Weight(g/m)	265
Section size(mm)	16*16
Beam angle	120°



Lighting Direction: Side Lighting

Cutting mark: Yes



End cap with hole

End cap no hole

Aluminum Clip

Aluminum Profile

Flexible Profile