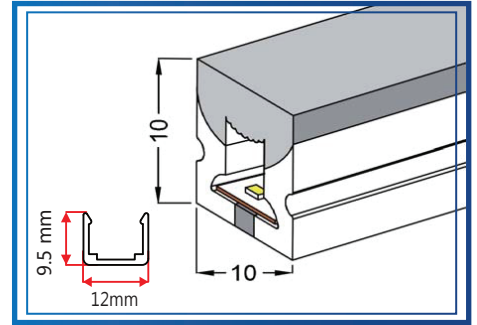
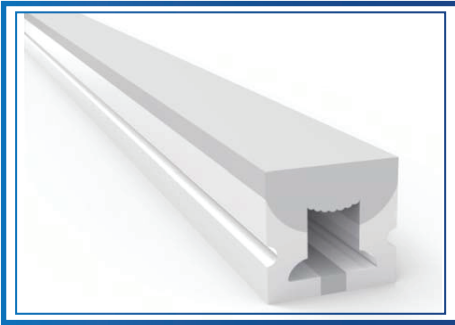
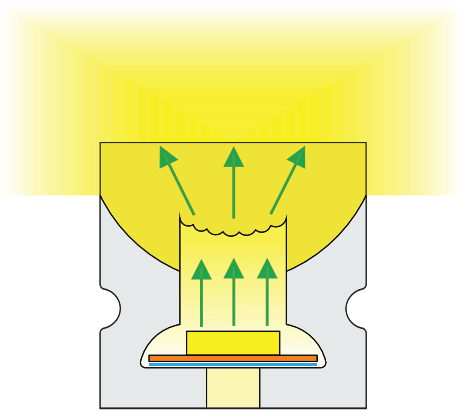


AUNF04 Top View 3 sides 10*10(mm)



PCB Width(mm)	6
Weight(g/m)	104
Section size(mm)	10*10
Beam angle	180°



Lighting Direction: 3 sides Top Lighting

Cutting Mark Yes



End cap with hole



End cap no hole



Aluminum Clip



Aluminum Profile

Flexible Profile