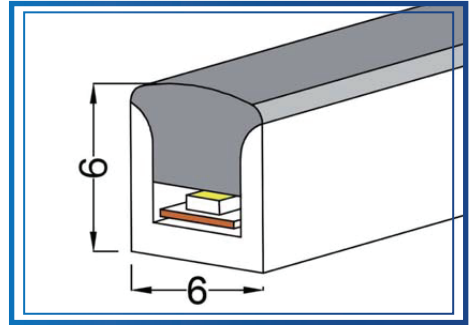
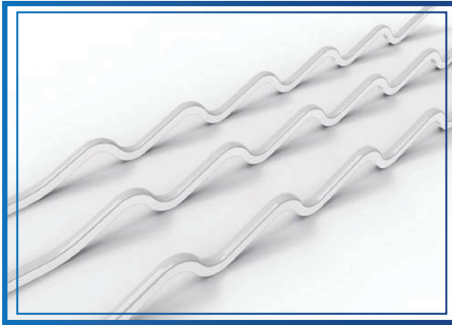
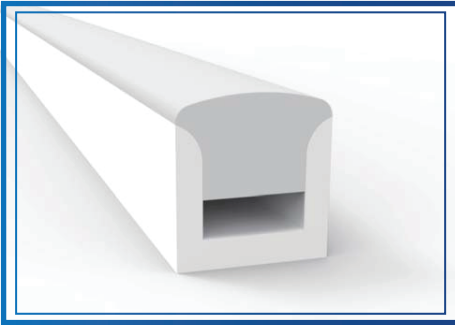
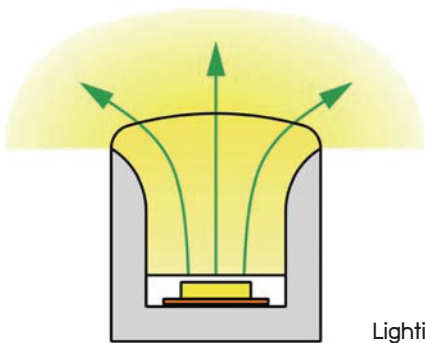


# AUNF02 Top View 6\*6(mm)



PCB Width(mm)	3
Weight(g/m)	39
Section size(mm)	6*6
Beam angle	180°



Lighting Dairrection: Top Lighting



End cap with hole



End cap no hole



3M Tape