

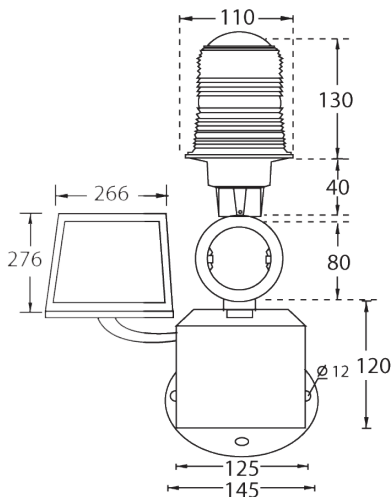


### AU-POT

### SPECIFICATION

**LIGHT OUTPUT FLASHING** : 5 STEP; CHANGE FLASH PATTERN BY TACT SWITCH  
**LIGHT SOURCE** : 5,000 mod. LEDs: RED WITH LED REFLECTOR  
 INTERNATIONAL PATENTS PENDING  
**SOLAR MODULE** : 5 WATT  
**BATTERY** : 5.5 ah AT 12V; SEAL LEAD ACID  
 CYCLE USE : 14.4-15.0V. AT 25°C  
 STAND BY USE : 13.5-13.8V. AT 25°C  
 INITIAL CURRENT : LESS THAN 0.3 C  
**PEAK INTENSITY** : > 15 cd.; 2 MILE RANGE  
**VERTICAL DIVERGENCE** : +/-8 DEGREES  
**AUTONOMY-DARKNESS** :10-15 DAY TYPICAL: 10% DUTY CYCLE, 12 HOUR  
 NIGHT  
**STORAGE** :ON/OFF SWITCH: TURN ON IN THE DAY WHEN  
 ILLUMINANT ABOUT 31.5 Lux. AND TURN OFF AT  
 DAWN  
**ENVIRONMENTAL** :ANBIENT TEMPERATURE RANGE -30°C TO +85°C

**PROTECTION** : IP 65  
**WEIGHT** : 5.5 KGS.  
**WARRANTY** : 5 YEARS LED LAMPS & SOLAR CELL  
 : 2 YEARS BATTERY  
**COMPLIANCES** :FAR AC 150/5345-43: L810  
 :FCC RULES AND REGULATIONS  
 :CANADIN STANDARDS ASSOCIATION (CSA)  
 :ICAO ANNEX 14  
**APPLICATION** :IT IS THE WORLD'S MOST ADVANCE  
 SOLAR-POWERED LED OB. LIGHT WITH 2 MILE  
 VISIBILITY. INSTALLATION FOR PERMANENT OR  
 TEMPORARY OB. LIGHTING APPLICATIONS,  
 CRANES, WIND, ENERGY MASTS,  
 TELECOMMUNICATION TOWERS, REMOTE  
 WEATHER STATIONS, BUILDINGS, BARRICADE  
 LIGHTING, AIRPORTS.



MODEL	LIFE (HOURS)	LAMP TYPE	LENS	SOLARCELL + BATTERY
AU-POT-W05	100,000	LED 5W.	WHITE GLASS	/
AU-POT-L05	100,000	LED 5W.	RED GLASS	X
AU-POT-G01	8,000	INCAN. 100W.	RED GLASS	X
AU-P06-A70	8,000	INCAN. 70W.	RED ACRYLIC	X
		+SENER		

#### WIRES

<input type="checkbox"/> THW	<input type="checkbox"/> 70°C	<input type="checkbox"/> 0.5 SQmm.	<input type="checkbox"/> 13 AWG
<input type="checkbox"/> UL STYLE & CSA TYPE	<input type="checkbox"/> 90°C	<input type="checkbox"/> 1.0 SQmm.	<input type="checkbox"/> 15 AWG
<input type="checkbox"/> HEATER WIRE	<input type="checkbox"/> 105°C	<input type="checkbox"/> 1.5 SQmm.	<input type="checkbox"/> 17 AWG
<input type="checkbox"/> OTHER	<input type="checkbox"/> 200°C	<input type="checkbox"/> 2.5 SQmm.	<input type="checkbox"/> 20 AWG