



### AU-POA

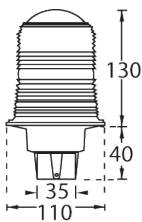
### SPECIFICATION

**SPECIFICATION**

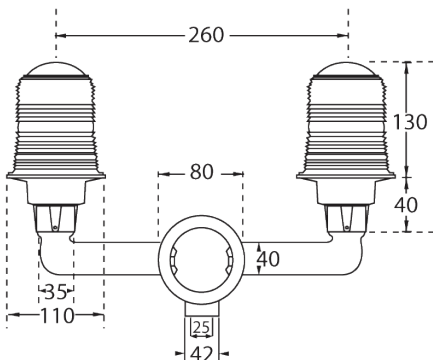
- :ACCEPTS TRAFFIC SIGNAL LAMPS WITH E27 BASE
- :OPERATING VOLTAGE ON 120 OR 220 VAC 50-60 HZ POWDER SUPPLY WHEN USED WITH PROPER VOLTAGE LAMP
- :TEMPERATURE RANG AT -20°C TO + 60°C
- :RED COLOR ACRYLIC LENS GLOBES FOR 360° ANGLE VISIBILITY
- :YELLOW COLOR ABS BASE

**APPLICATION**

- :THREE WAY JUNCTION BOX CAST IRON BODY-DOUBLE ONLY
- :THREADED HUB (3/4 INCH) FOR MOUNTING-DOUBLE ONLY
- :IN AIR TRAFFIC CONTROL TOWER, HIGH-RISE, CONSTRUCTIONS, AUTOMATIC GATES, INDUSTRIES, ETC.



MODEL	LAMP	LIFE	LAMP TYPE	WEIGHT
	HOLDER	(HOURS)		(kg.)
AU-POA-1070	1 x E 27	8,000	1 x 70W.	1
AU-POA-1100	1 x E 27	8,000	1 x 100W.	1
AU-POA-2070	2 x E 27	8,000	2 x 70W.	2.25
AU-POA-2100	2 x E 27	8,000	2 x 100W.	2.25



**WIRES**

<input type="checkbox"/> THW	<input type="checkbox"/> 70 °C	<input type="checkbox"/> 0.5 SQmm.	<input type="checkbox"/> 13 AWG
<input type="checkbox"/> UL STYLE & CSA TYPE	<input type="checkbox"/> 90 °C	<input type="checkbox"/> 1.0 SQmm.	<input type="checkbox"/> 15 AWG
<input type="checkbox"/> HEATER WIRE	<input type="checkbox"/> 105 °C	<input type="checkbox"/> 1.5 SQmm.	<input type="checkbox"/> 17 AWG
<input type="checkbox"/> OTHER	<input type="checkbox"/> 200 °C	<input type="checkbox"/> 2.5 SQmm.	<input type="checkbox"/> 20 AWG